

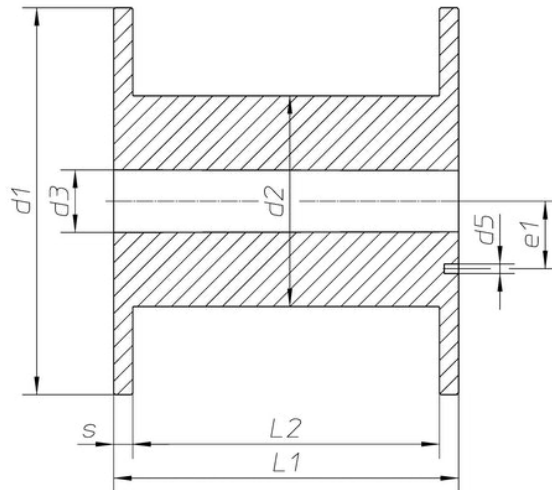


NEBULA



Dane techniczne szpula 9kg

Flange Ø	Barrel Ø	Central bore Ø	Width	Winding width	Flange thickness
d1 [mm]	d2 [mm]	d3 [mm]	L1 [mm]	L2 [mm]	S [mm]
355	180	36	167	142	12.5



Stare Bystre 356
34-407 Stare Bystre

www.nebulafilaments.com
info@nebulafilaments.com

+48 600 227 702